



**HTC**  
**Professional Floor Systems**  
**HTC 80 iD**



[www.htc-floorsystems.com](http://www.htc-floorsystems.com)





# HTC 80 iD

## It's time to take control.

Everyone looks for ways to improve their business and make it more profitable. But a chain is never stronger than its weakest link. The core focus for HTC is to keep developing the ultimate flooring system. We believe in a system where all parts are made to match, all the way from the tools to the grinder and finally, the dust extractor.

### How to take control

We are excited to introduce the new revolutionary HTC 80 iD. This new dust extractor will improve your efficiency with **up to 15% compared to a traditional solution**. The HTC 80 iD is equipped with a high performance integrated pre-separator that removes up to 95% of the dust and increase filter lifetime.

With HTC 80 iD you will reduce the non-productive time as it's made for continuous operation. Now your operators have no excuse to stop before lunch, its nonstop production!

### Adapts to your needs and habits

The HTC 80 iD can be used in various ways depending on your setup. For maximum efficiency and output we recommend a remote controlled grinder.

If you use a traditional grinder without remote control you can still benefit from the double Longopac® or make use of the optional remote control to turn on & off the dust extractor from a distance.

### HTC 80 iD - AT A GLANCE

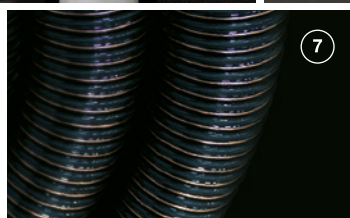
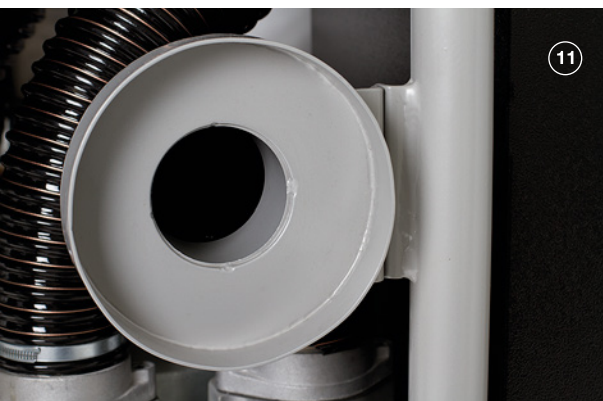
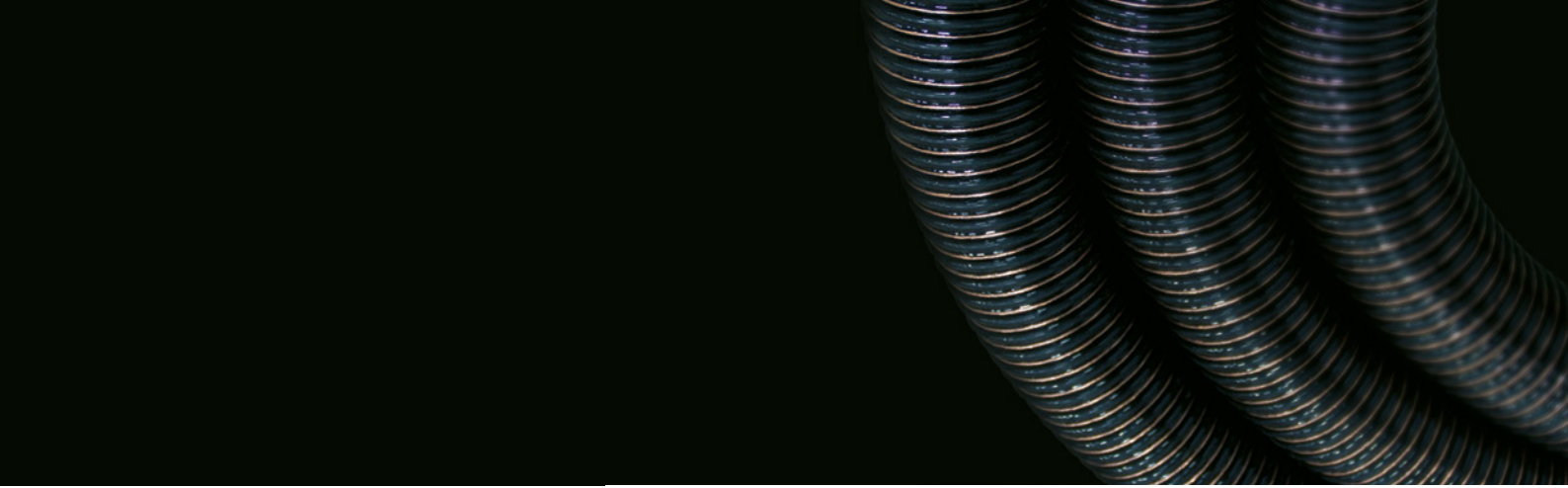


# HTC 80 iD

## The advantages



- ① **Integrated pre-separator**  
Improves filter lifetime,  
improves capacity & productivity
- ② **Bypass valve**  
Keep your grinder running with  
continuous operation
- ③ **Flow optimized for concrete dust  
and HTC floor grinders**  
A perfect match – increases your output
- ④ **Lockable wheels**  
Easy to transport and maneuver
- ⑤ **3,5 m<sup>2</sup> main filter area**  
Gives a continuous high flow over time  
and longer cycles between filter cleaning
- ⑥ **20,8 m<sup>2</sup> HEPA 13 filter area**  
Ensures a better working environment  
due to high particle separation
- ⑦ **Antistatic**  
Reduces the risk of dust explosions  
as well as discharges



- ⑧ **Camlock connections**  
The industry standard connection for hoses
- ⑨ **Easy to maintain**  
Logical and straightforward troubleshooting if necessary
- ⑩ **Marked Longopac®**  
Easy to see when bags need to be changed

- ⑪ **Output hose connection**  
Divert harmful gas and smell
- ⑫ **Optional remote control for on/off**  
Increases your productivity and flexibility
- ⑬ **Filter cleaning**  
Simple and effective, makes the filters as new with maximum capacity
- ⑭ **Cleaning kit**  
A complete set of adapters and hoses. No need for duct tape here!

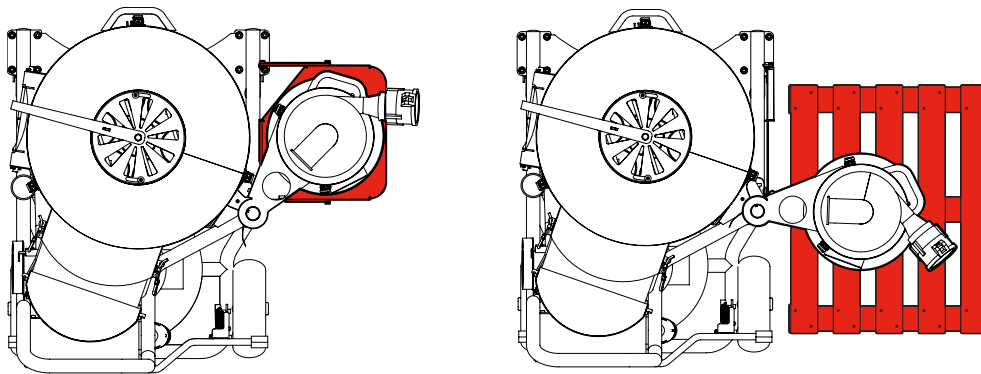


# HTC 80 iD

## More advantages & technical specifications

### Simplified dust handling

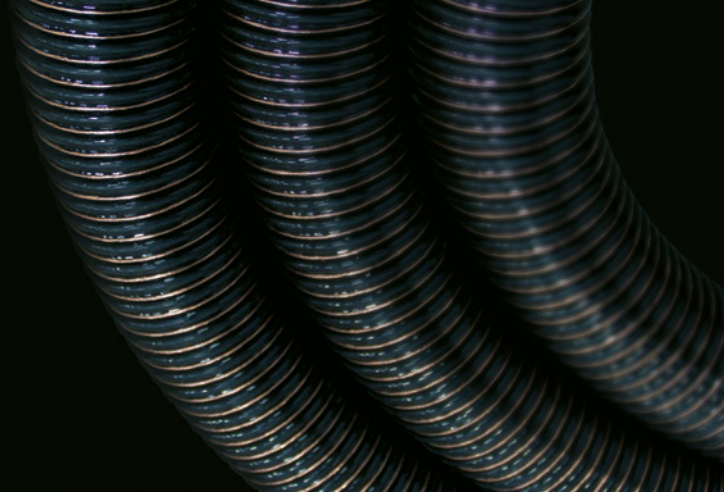
HTC 80 iD have a slide out pre-separator for easy access which allows you to use other carriers such as wheelbarrows, pallets etc. Increases work efficiency depending on your needs.



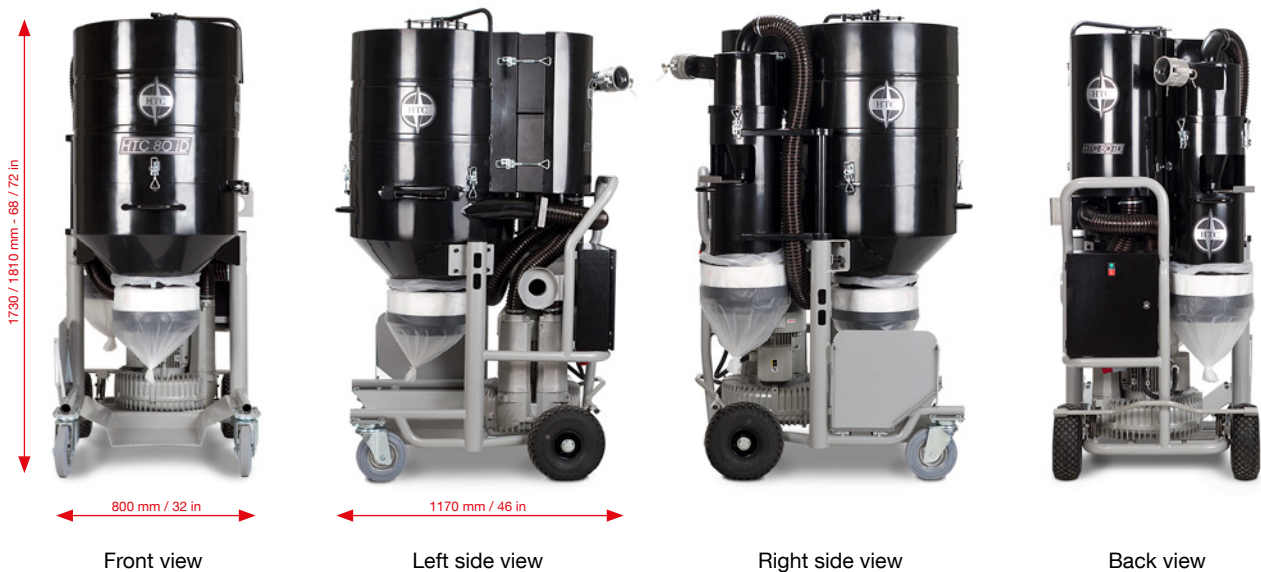
### Earn money on a recommended combination

HTC 80 iD and a remote controlled HTC grinding machine is the perfect match for a high production rate. You will reduce the non-productive time as these combinations are made for continuous operation.





## Transportation dimensions



## Technical data

	HTC 80 iD		HTC 80 iD	
Art.no		501909 (EU)		113432 (US)
Motor	<b>kW</b>	7,5	<b>hp</b>	11,5 (8,5 kW)
Ampere	<b>A</b>	16	<b>A</b>	16
Voltage	<b>V</b>	3 x 400	<b>V</b>	3 x 460
Frequency	<b>Hz</b>	50	<b>Hz</b>	60
Weight	<b>kg</b>	260	<b>lbs</b>	573
Max. theoretical airflow	<b>m<sup>3</sup>/h</b>	700	<b>cfm</b>	476
Max. actual airflow	<b>m<sup>3</sup>/h</b>	595	<b>cfm</b>	410
Max vacuum	<b>mbar</b>	380	<b>psi</b>	5,5
Main filter area	<b>m<sup>2</sup></b>	3,5	<b>sqft</b>	37
HEPA filter area	<b>m<sup>2</sup></b>	20,8	<b>sqft</b>	224
HEPA classification		13		13
Dim. transport LxWxH	<b>mm</b>	1170 x 800 x 1730/1810	<b>inch</b>	46 x 32 x 68/71
Dim. operating LxWxH	<b>mm</b>	1170 x 1240 x 1730/1810	<b>inch</b>	46 x 49 x 68/71

#### Head office

##### HTC Sweden AB

Box 69  
SE-614 22 Söderköping  
Sweden

Street (delivery) address:  
Klevvägen 7  
SE-614 92 Söderköping  
Sweden

Tel.: +46 (0)121-29400  
Fax: +46 (0)121-15212  
E-mail: [info@htc-sweden.com](mailto:info@htc-sweden.com)  
[www.htc-floorsystems.com](http://www.htc-floorsystems.com)

##### HTC Floor Systems Ltd.

Unit 4 Kingston Business Park  
Dunfermline Court  
Maidstone Road  
Kingston  
Milton Keynes  
MK10 0BY  
United Kingdom

Tel.: +44 (0) 845 460 2500  
Fax: +44 (0) 845 460 1500  
E-mail: [info@htc-europe.co.uk](mailto:info@htc-europe.co.uk)  
[www.htc-floorsystems.com](http://www.htc-floorsystems.com)

##### HTC Floor Systems GmbH

Im Petersfeld 7  
65624 Altendiez  
Germany

Tel.: +49 (0) 6432 / 64558 - 0  
Fax: +49 (0) 6432 / 64558 - 22  
E-mail: [info@htc-europe.de](mailto:info@htc-europe.de)  
[www.htc-floorsystems.com](http://www.htc-floorsystems.com)

##### HTC France S.A.S.

ZI Mondeville Sud  
10 Rue Nicéphore Niepce  
14120 Mondeville  
France

Tel.: +33 (0)2 31 34 27 00  
Fax: +33 (0)2 31 34 09 29  
E-mail: [info@htc-europe.fr](mailto:info@htc-europe.fr)  
[www.htc-floorsystems.com](http://www.htc-floorsystems.com)

##### HTC Inc.

5617 Tazewell Pike  
Knoxville, TN 37918  
USA

Tel.: +1 865 689 2311  
Fax: +1 865 689 3991  
E-mail: [info@htc-america.com](mailto:info@htc-america.com)  
[www.htc-floorsystems.com](http://www.htc-floorsystems.com)

